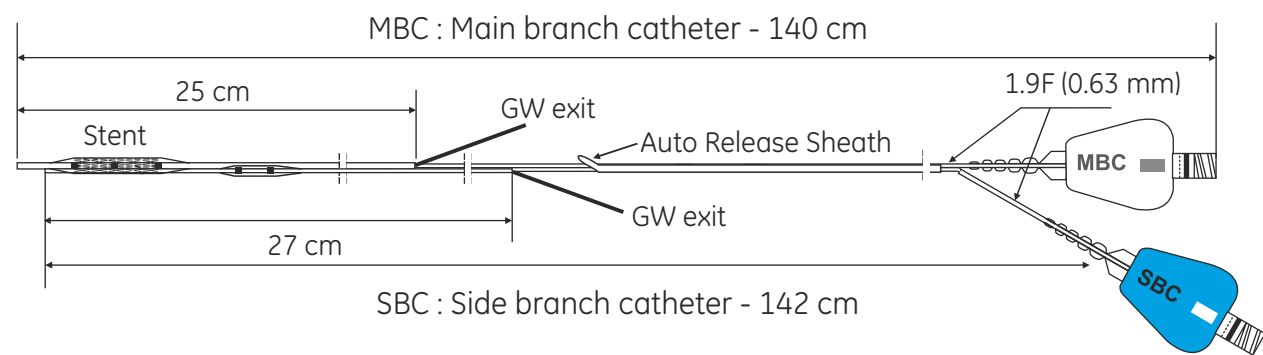


Nile SIR sirolimus eluting bifurcation stent system is a dedicated device for treatment of bifurcation lesions in coronary arteries. The product is available as a dual Rx system, with separate main branch and side branch catheter. It is single stent system and works on provisional stenting technique.



Technical Specifications

- Length - 18 mm (Proximal: 10 mm & Distal: 8 mm), 24 mm (Proximal:16 mm & Distal: 8 mm)
- Diameter - 2.00 - 2.50 - 3.00 - 3.50 mm
- Drug - Sirolimus Drug
- Drug Dose - 0.98 micrograms per mm²
- Drug Carrier - Poly L Lactide Family of polymers
- Coating - Abluminal surface coating on device
- Stent Material - Chromium Cobalt alloy L605
- Stent Thickness - 73 microns (0.0029")
- Strut Width - 80 microns (hinge) - 120 microns (strut)
- Metal to Artery Ratio - 15% all along the bifurcation
- Nominal Pressure - 8 atm
- Rated Burst Pressure - 14 atm
- Guiding Catheter Compatibility - 6F (0.056" ID) for all sizes
- Guidewire Compatibility - 0.014" maximum recommended

Ordering Information

Main Branch Balloon (mm)	Side Branch Balloon (mm)	Ref. Stent Length (18 mm)	Ref. Stent Length (24 mm)
2.50 mm	2.00 mm	ENSR18-2520	ENSR24-2520
2.50 mm	2.50 mm	ENSR18-2525	ENSR24-2525
3.00 mm	2.00 mm	ENSR18-3020	ENSR24-3020
3.00 mm	2.50 mm	ENSR18-3025	ENSR24-3025
3.00 mm	3.00 mm	ENSR18-3030	ENSR24-3030
3.50 mm	2.50 mm	ENSR18-3525	ENSR24-3525
3.50 mm	3.00 mm	ENSR18-3530	ENSR24-3530

DISCLAIMER:
For distribution in India only.
All cited trademarks are proprietary of Envision Scientific Pvt. Ltd. CAUTION: Law restricts these devices to sales by or on the order of Physician. Indications, contraindications, warnings and instructions for use can be found in the product labeling supplied with each device. Image and graphics are representations of device and human anatomy and do not represent the actual anatomy or size of product.

Manufactured by Envision Scientific Pvt. Ltd. under license agreement with MINVASYS, France.
Nile and Nile SIR is registered trademark of Minvasys, France. Patents granted in the USA.



Manufactured by:

Envision Scientific Pvt. Ltd.

Office 1-3, Silver Palm II, Near Sneh Milan Garden, Kadampalli, Nanpura, Surat 395 001. GUJ-INDIA
T. +91 261 2460003 • F. +91 261 2460006 • www.envisionscientific.com

ES-STNS-BR-ver.1.0 rev.01.13-07

Nile SIR

Sirolimus drug eluting dedicated bifurcation coronary stent system

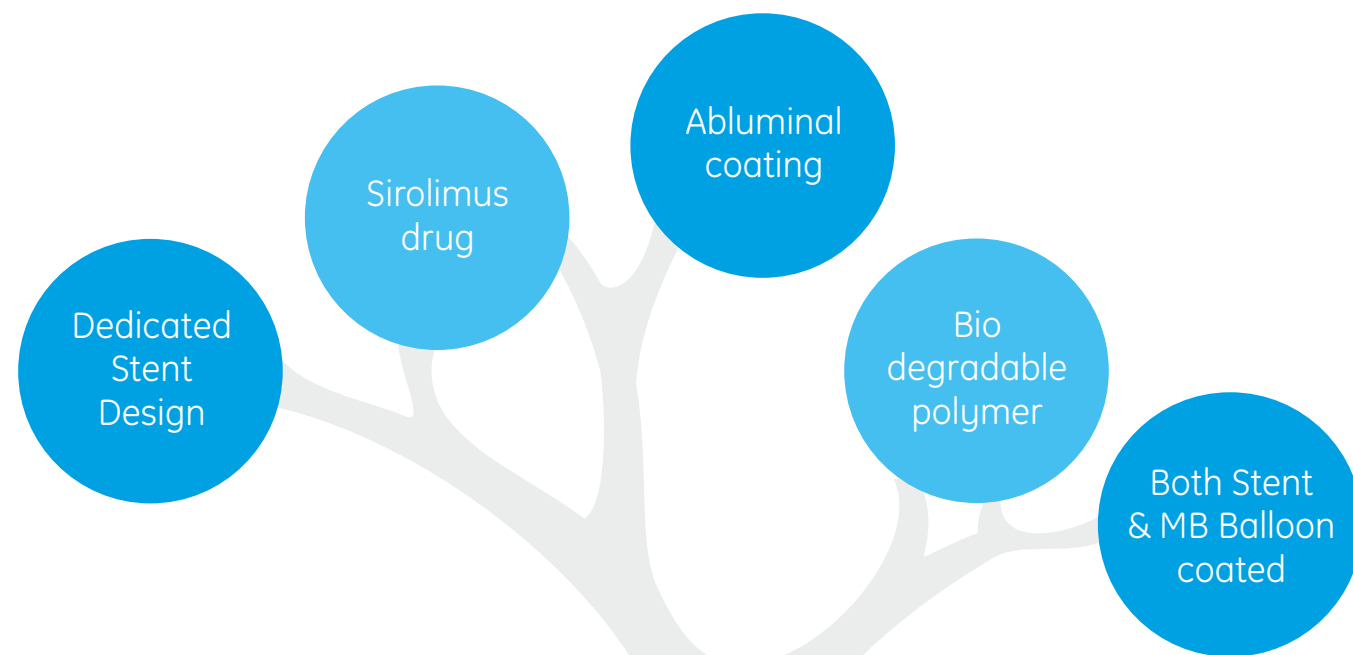


the latest in provisional stenting of dedicated bifurcation lesions

Proven **Nile** Platform



Nile SIR is more than just a **PRODUCT**,
it is a **Complete concept**
for treatment of **Bifurcation Lesions**.



5 Markers system
3 markers on Main Branch Catheter
2 markers on Side Branch Catheter

Innovative Stent Design
Prox. Length : 10 or 16 mm
Distal Length : 8 mm

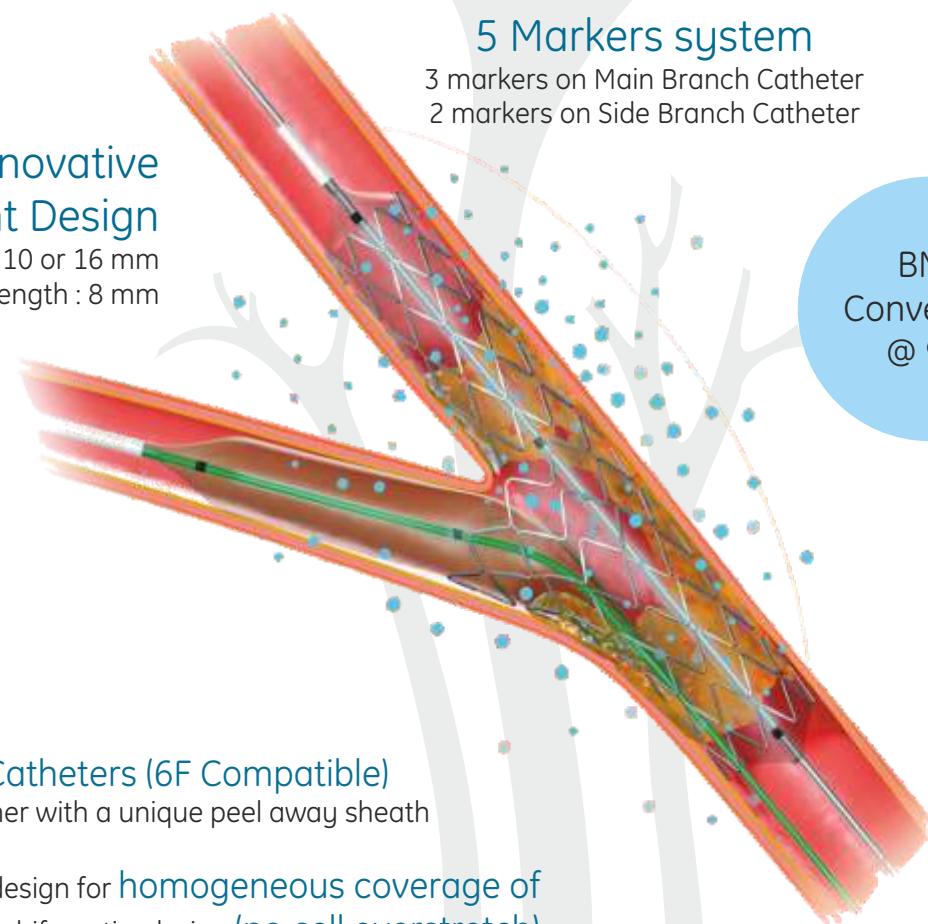
BMS Conversion @ 9m

Two Rx PTCA Catheters (6F Compatible)
maintained together with a unique peel away sheath

Specific modular design for **homogeneous coverage of vessel** all along the bifurcation lesion (**no cell overstretch**)

Side branch patency fully secured during procedure

Specific side branch balloon (SBC) design for protection of proximal anatomy / optimization (**Conical shaped** side branch balloon)



Proven **Bifurcation Stent design**
now, with even more **Advantages . . .**

Proven design - over 10,000 implants

Dedicated bifurcation stent delivery system design with optimal carina coverage without cell over stretch. Design with variable crowns to maintain uniform metal to artery ratio in the entire lesion. 6F compatible stent system for all sizes.

Sirolimus Drug - Abluminal coating

The Stent system has abluminal coating on stent as well as Main branch balloon catheter system for optimal drug delivery. No inner surface coating ensures on time healing performance.

Biodegradable polymer matrix (PLLA)

Drug elution from a bio-degradable polymer matrix effectively address the therapeutic window. The stent combines proven Sirolimus drug delivered in controlled manner from abluminal surface of stent and MB balloon. The device design provides high level of safety with superior efficacy.

BMS conversion at 9 months

The biodegradable polymer matrix completes drug elution at 9 months with no residual polymer completing conversion to Bare metal stent.

